
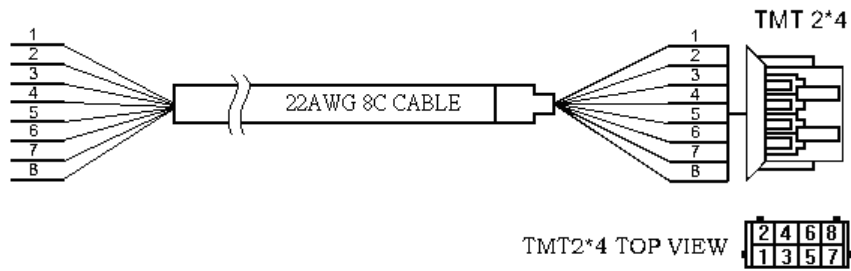


T88 User Manual

I. Bill Acceptor Specifications

Bill insertion	4-way Acceptance	
Recognition Speed	About 1.5s	
Interface	Pulse, RS232, ccTalk or MDB	
Power Supply	DC 12V \pm 5%, 1Amp	
Power consumption	Standby Mode: 125mA Operating Mode: 860mA~1.5A	
Application Environment	Operating temp.: 0°C~55°C Storage temp.: -20°C~60°C Humidity: 30%~85%RH	
Weight	About 600g	
Acceptance rate	98% or greater ※ The following bills are excluded: 1. Incomplete bills such as extremely dirty, wet, broken or wrinkled ones; 2. Bills folded at a corner or side; 3. Incorrect-made bills.	
Features	<ol style="list-style-type: none"> 1. Special Anti-Fishing mechanism 2. Ultimate acceptance rates. 3. Fast and efficient bill handling 4. Easy to disassemble or clean 5. Sensor auto-correction system 6. Quick firmware update 7. Multiple communication protocols for different application fields. 8. Ingenious mechanical structure and the advanced recognition arithmetic guarantee the highest acceptance rate and lowest jam rate. 	
Developed Currency	Australia, Brazil, Chile, China, Euro, India, Korea, Lebanon, Malaysia, Mongolia, Nigeria, Pakistan, Philippines, Poland, Russia, Romania, Saudi Arabia, Singapore, South Africa, Sri Lanka, Sweden, United States, Vietnam, Ukraine	
Packing	16Pcs/Carton;	

II. Interface harness



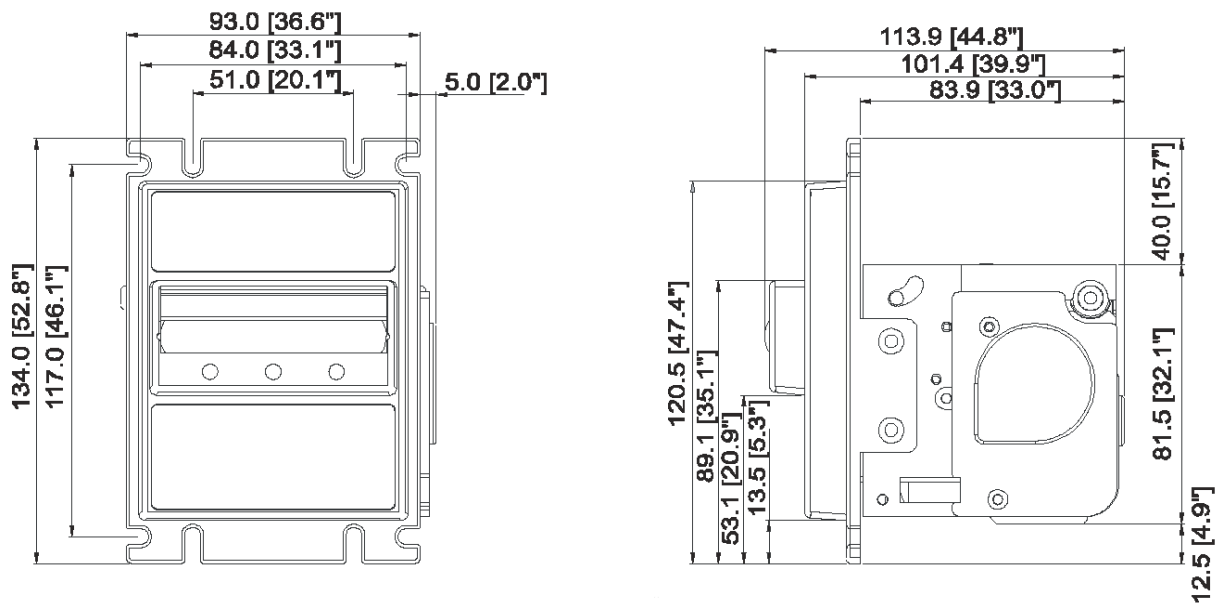
PIN1	BROWN	POWER GND
PIN2	RED	POWER +12V
PIN3	GREEN	INHIBIT- (MDB GND)
PIN4	YELLOW	INHIBIT+ (MDB MASTER TX)
PIN5	PURPLE	CREDIT PLUSE- (MDB GND)
PIN6	BLUE	CREDIT PLUSE+ (MDB MASTER RX)
PIN7	ORANGE	RS232 TX
PIN8	BLACK	RS232 RX

III. Indicator LED status

1. Green LED flashing indicates that the machine is working ;
2. Red LED keeps on represents that machine is suspended ;
3. Both red and green LED are off means that machine is power off;
4. The red LED flashing indicates the machine has a problem, which can be determined by the times of lash as follows:

FLASH TIMES	STATUS
1	Motor or motor sensor error.
2	Main sensor error.
3	Anti-fishing bills sensor error
4	Cash Box full
5	ROM Check error
6	Bill jammed

IV. Dimensions



Unit : mm [inch]

DIP SWITCH SETTINGS

(Take PKR <Pakistan Rupees> as an example)

I. Supported bill:

10PKR, 20PKR, 50PKR, 100PKR

II. Dipswitch - 1 (At the left side of bill acceptor)

FUNCTION	SW1	SW2	SW3	SW4	SW5	SW6	SW7	SW8	SW9	SW10
Output Pulse1 Lo=50ms Hi=100ms	OFF	OFF								
Output Pulse2 Lo=20ms Hi=100ms	OFF	ON								
Output Pulse3 Lo=150ms Hi=100ms	ON	OFF								
Output Pulse4 Lo=20ms Hi=30ms	ON	ON								
1Pulse / 10PKR			ON							
10Pulses / 10PKR			OFF							
Enabled by Low Electric Level				ON						
Enabled by High Electric Level				OFF						
ACCEPT 10PKR					ON					
REJECT 10PKR					OFF					
ACCEPT 20PKR						ON				
REJECT 20PKR						OFF				
ACCEPT 50PKR							ON			
REJECT 50PKR							OFF			
ACCEPT 100PKR								ON		
REJECT 100PKR								OFF		
RESERVED									ON	
RESERVED									OFF	
RESERVED										ON
RESERVED										OFF

* SW1-SW4 are only used in pulse mode.

III. Dipswitch – 2 (Inside the finger hole at the bottom of bill acceptor)

FUNCTION	SW1	SW2
Pulse Protocol	ON	ON
RS232 Protocol	ON	OFF
MDB Protocol	OFF	ON
Test Mode	OFF	OFF

LIST OF DEVELOPED CURRENCIES

Code	Country	Denominations	Currency Unit
1	Australia	5, 10, 20	AUD
2	Armenia	1000	AMD
3	Brazil	1, 2, 5, 10, 20	BRL
4	Chile	1000	CLP
5	China	1, 5, 10, 20	CNY
6	Euro Zone	5, 10	EUR
7	India	5, 10, 20, 50	INR
8	Korea	1000	KRW
9	Lebanon	1000 (Old & New)	LBP
10	Malaysia	1, 5, 10	MYR
11	Mauritius	20, 50, 100	MUR
12	Mongolia	100, 200, 500	MOT
13	Nigeria	20, 50, 100, 200	NGN
14	Pakistan	10, 20, 50, 100	PKR
15	Philippines	20	PHP
16	Poland	10	PLN
17	Russia	10, 50, 100	RUB
18	Romania	1, 5	RON
19	Saudi Arabia	1, 5, 10	SAR
20	Singapore	2, 5, 10	SGD
21	South Africa	10, 20	ZAR
22	Sri Lanka	20, 50, 100, 500	LKR
23	Sweden	20, 100	SEK
24	Turkey	5, 10, 20	TRY
25	United States	1, 5, 10, 20	USD
26	Ukraine	2, 5, 10	UAH
27	Vietnam	2000, 5000, 10000, 20000	VND