

Instructions:

1. How to put toy samples in the "show case"?

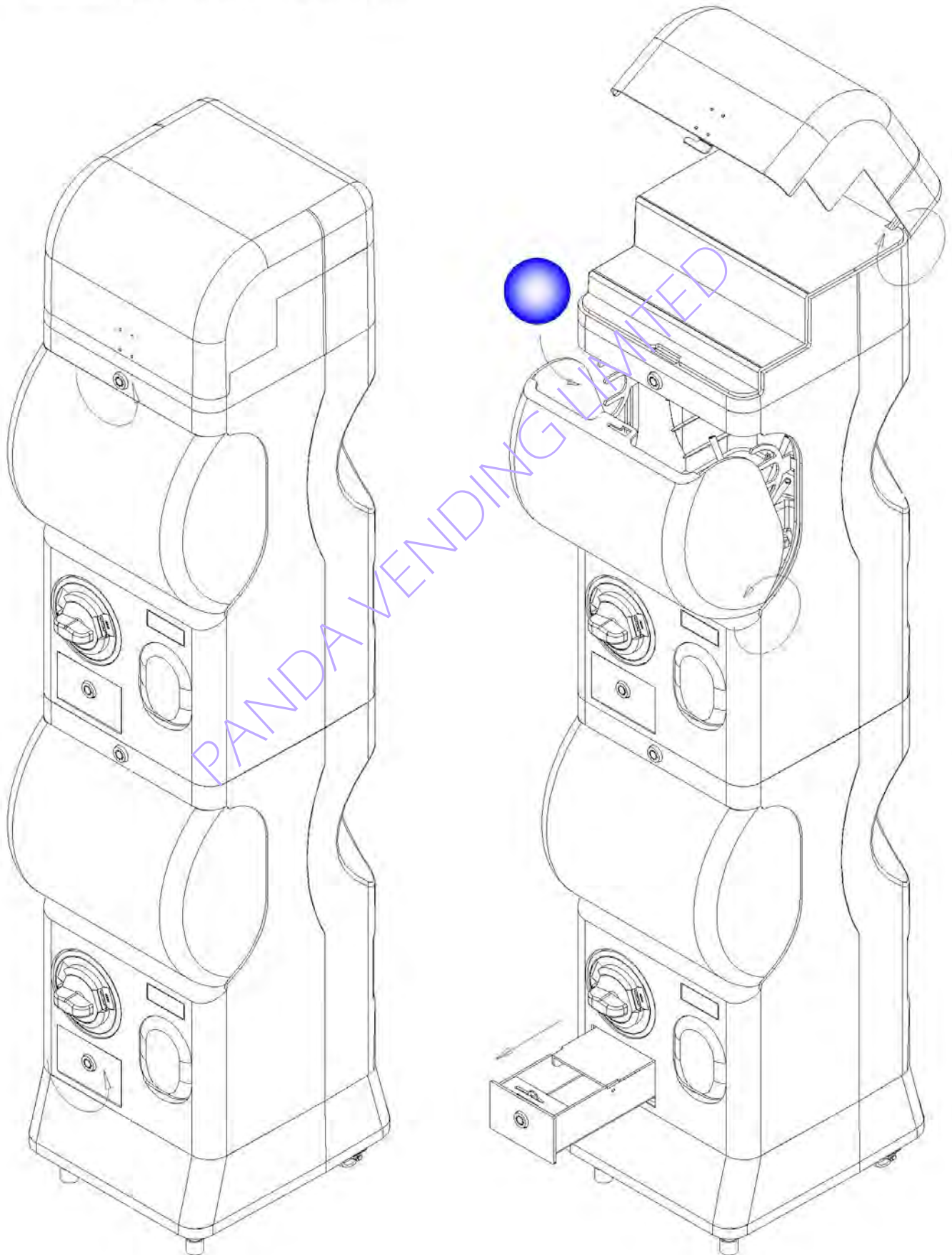
- Open the lock with key, and open the "transparent cap" according to the arrow direction on below drawing, then you can put toy samples on the step-platform.

2. How to refill machine with products?

- Unlock the machine, and open the transparent container cover according to arrow direction on below drawing, then you can put toy capsules inside.

3. How to collect money?

- It's very easy. Just unlock the cashdrawer, and take it out.



INSTRUCTIONS:

1. How to adjust the dispensing wheel according to capsule size?

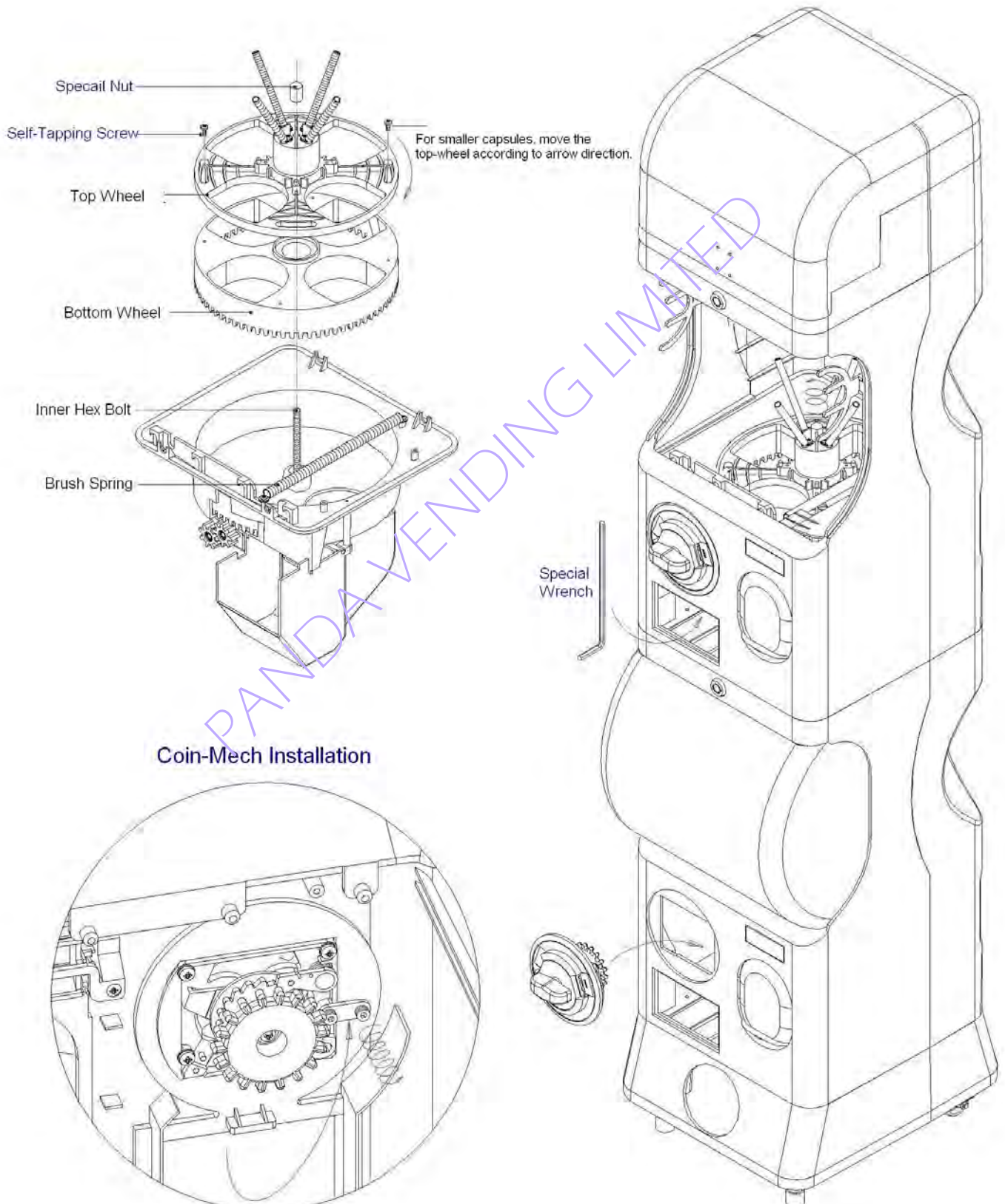
- The wheel is designed for toy capsules within 60-70mm diameter. To adjust the vending size, just need loosen the self-tapping screw and move the top-wheel according to the red arrow direction on blew left side drawing.

2. How to change the dispensing wheel?

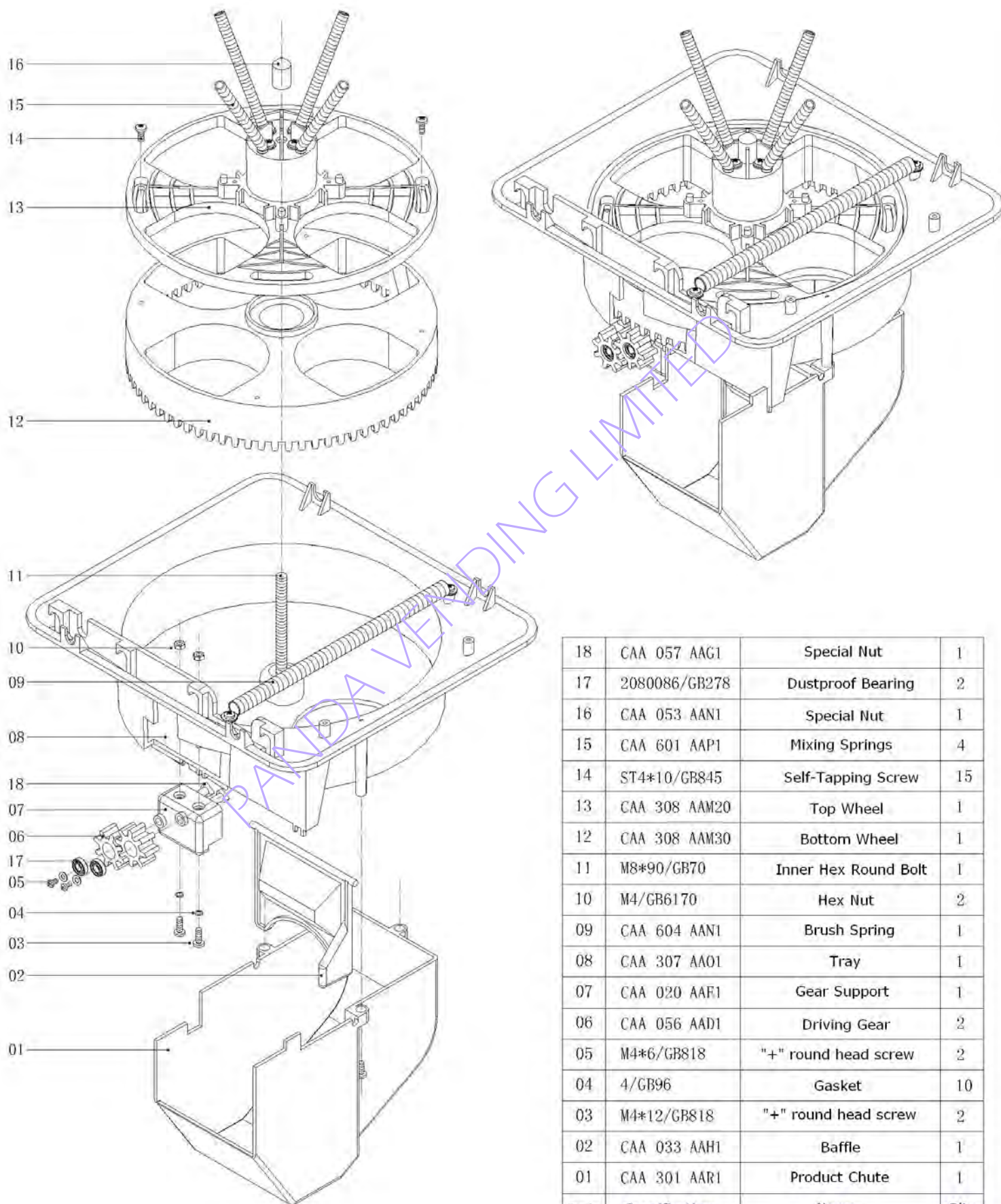
- When changing the dispensing wheel, please take out "cash-box" firstly, then take off the springs, special nut, self-tapping screws, top-wheel and bottom-wheel in sequence, and then install the new wheel according to the contrary steps.

3. How to maintain or change the coin-mech?

- When need to maintain or change the coin-mech, please take out "cash-box" firstly, then use the "special wrench" to release the retainer(fixer) of coin-mech. Please refer to the drawing on left bottom.

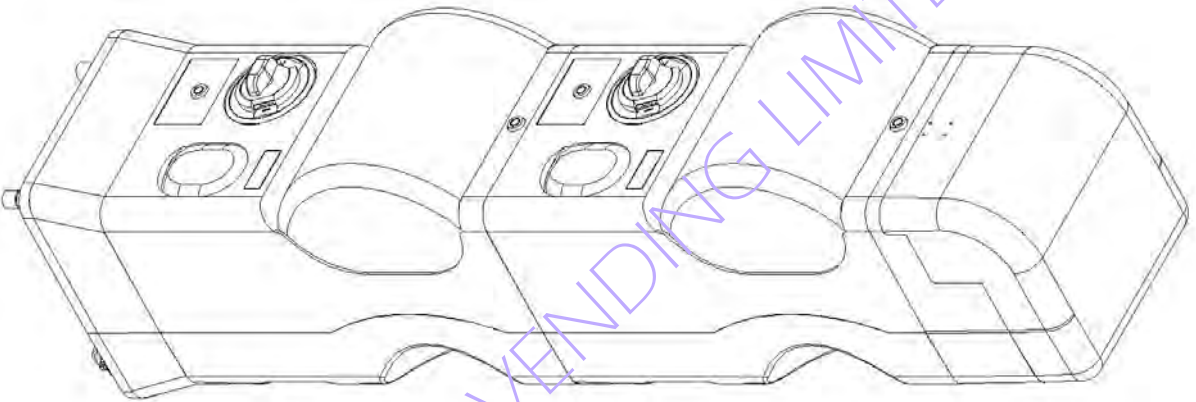


Dispensing Wheel



18	CAA 057 AAG1	Special Nut	1
17	2080086/GB278	Dustproof Bearing	2
16	CAA 053 AAN1	Special Nut	1
15	CAA 601 AAP1	Mixing Springs	4
14	ST4*10/GB845	Self-Tapping Screw	15
13	CAA 308 AAM20	Top Wheel	1
12	CAA 308 AAM30	Bottom Wheel	1
11	M8*90/GB70	Inner Hex Round Bolt	1
10	M4/GB6170	Hex Nut	2
09	CAA 604 AAN1	Brush Spring	1
08	CAA 307 AA01	Tray	1
07	CAA 020 AAR1	Gear Support	1
06	CAA 056 AAD1	Driving Gear	2
05	M4*6/GB818	"+" round head screw	2
04	4/GB96	Gasket	10
03	M4*12/GB818	"+" round head screw	2
02	CAA 033 AAH1	Baffle	1
01	CAA 301 AAR1	Product Chute	1
Code	Specification	Name	Q'ty

30		Handle (crossette)	1
29	CAA 028 ABC1	Buckle	1
28	CAA 048 AAG1	Leg Bracket	2
27	CAA 048 AAG1	Caster(Wheel) Bracket	2
26	3. 2*8/GB12681	Rivet	6
25	CAA 025 ABB1	Show Case Cover Retainer	2
24	CAA 028 ABB1	Lock Buckle	1
23	ZJS010-04-999#	Lock	2
22	CAA 304 AAV1	Cashdrawer Assembly	2
21	SAN 012 NNN1	Coin-Mech	2
20	CAA 306 AAX1	Transparent Container Cover	2
19	CAA 033 AAL1	Baffle	4
18	CAA 002 AAQ1	Top Panel	2
17	ST4. 2*16/GB845	Self-tapping Screw	4
16	5/GB96	Gasket	8
15	ST4. 2*12/GB845	Self-Tapping Screw	22
14	M5*120/GB5782	Cross Head Bolt	5
13	CAA 018 ABN1	Wedge	1
12	CAA 006 AAX2	Sample Platform	1
11	CAA 305 AAZ2	Transparent Cap	1
10	CAA 003 AAN1	Back Panel	2
09	CAA 062 AAT1	Brush Plate	2
08	CAA 315 AAF1	Tray Assembly	2
07	CAA 020 AAF1	Bracket	2
06	CAA 305 ABB1	Perspective Panel	2
05	CAA 017 AAJ1	Price Panel	2
04	CAA 602 AAJ1	Torsion-bar Spring	2
03	CAA 303 AAT1	Product Chute Door	2
02	CAA 010 AAX1	Base	1
01	ST4. 8*20/GB845	Cross Head Self-tapping screw	35



Installation of top "Show Case"

