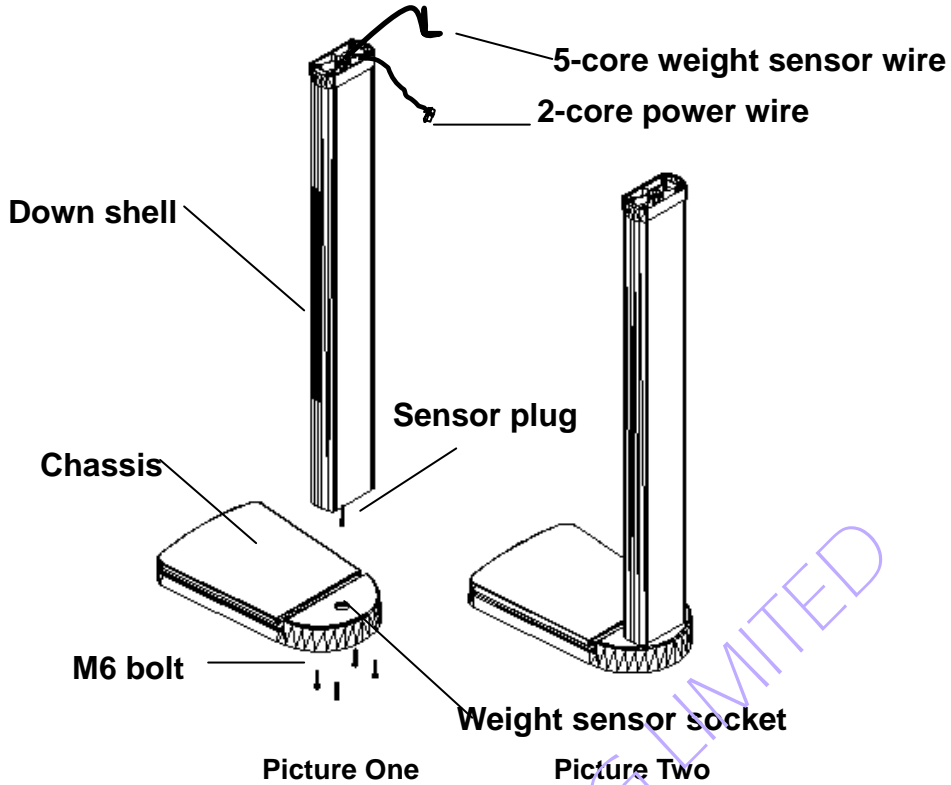
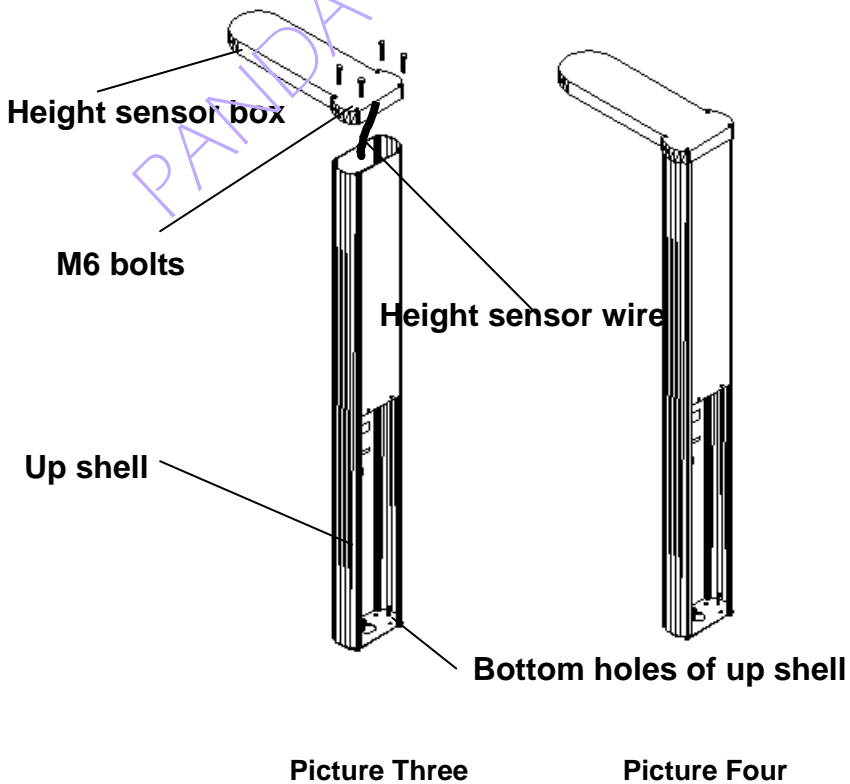


● **Installation instruction**



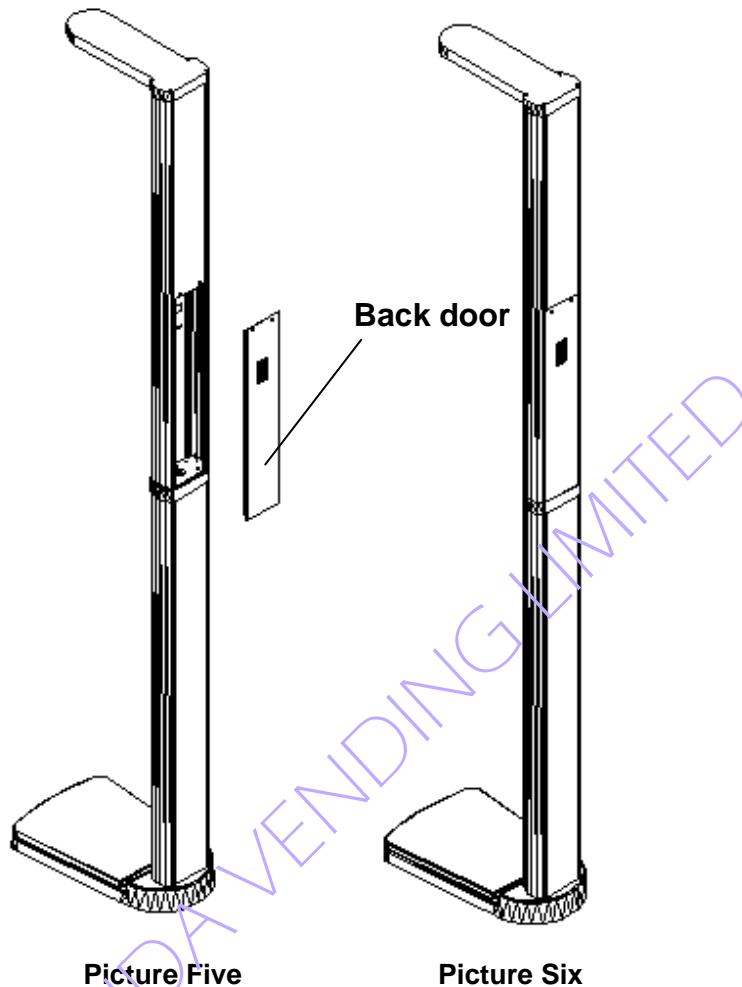
I . Install the down part

As Picture One shows, firstly insert the weight sensor plug (5-core aviation plug) into the weight sensor socket (5-core aviation socket) and tighten it, and then aim the M6 screwed holes on the chassis at the $\phi 6.5$ holes on the shell bottom, and finally screw down M6 bolts to fix them tightly, as Picture Two shows.



II. Install the up part

As Picture Three shows, pull the height sensor wire from the height sensor box into the up shell, and then fix height sensor box and up shell with M6 bolts as Picture Four shows.



III. Fix the up part and the down part

Firstly untie the knotted 5-core weight sensor line and 2-core power line before fixing, and then pull them through holes on the bottom of the up shell into the up shell, and then fix the up part and down part with M4 bolts as Picture Five shows, finally respectively insert the 5-core weight sensor plug and 2-core power plug into the corresponding position on the mother board (Please refer to **Appendix I** for specific position), and then insert the 2-core small plug of speaker line into the mother board, and finally screw down the bolts to fix the back door. The installation is finished (as Picture Six shows).

Kindly pay attention that we provide every machine with an eraser, which can clean the machine body very well, and it proves to be a good idea.

● Operation Instruction

I . Turn on the machine:

Connect the power wire well, turn on the power switch which is at the back of the machine body- if the BMI (Body Mass Index) display shows **S-1**, it indicates that height would be measured normally; if it shows **E-1**, it means height would be mistakenly measured. The weight display shall show tare. The start program would be completed if the digitized numbers progressively increase by five.

Attention: Please make sure that there is nothing on the saddle before turning on the machine.

II . Measure:

The machine can automatically measure as long as a person stands on the saddle.

III. Volume:

The volume can be adjusted by pressing **+** and **-** during stand-by state.

● Function settings and adjustment

Attention: during stand-by state, press **ENT** button and the digital tube screen will show “**1-01**”, which indicates the entry of menu operation, at this moment please press **+** or **-** to select the relevant item, press **ENT** to choose, or press **DEL** to give up and return to the stand-by state.

I .Weight adjustment: This operation shall be performed when the weight measuring results are not accurate.

When the screen shows “**1-03**” press **ENT**, and it will be in the status of weight adjustment. At this moment the weight screen shall show 0.0, and then put something with confirmed weight on the saddle. The weight screen shall show the measuring result. If the result is higher than its actual value, press **-** to adjust; if the result is lower, press **+** to adjust until the actual value is shown on the screen, and press **ENT** to save the weight adjustment and back to the menu selection.

Attention: if directly press **ESC** after adjustment, then it will return to the menu selection without save the adjustment.

II .Height adjustment: this operation shall be performed when the height measuring results are not accurate.

Firstly, put a surveyor' pole on the saddle, when the screen shows “**1-04**”, press

ENT to measure height. After measurement, the height screen will show the pole's measuring height. If the result is higher than its actual value, press **[-]** to adjust; if the result is lower, press **[+]** to adjust until the actual value is shown on the screen, and press **ENT** to save the height adjustment and back to the menu selection.

Attention: if directly press **ESC** after adjustment, then it will return to the menu selection without save the adjustment.

III. How to adjust the interval time of speaking “welcome”

When the screen shows “1-05”, press the **ENT** to enter into the state of adjusting the interval time of speaking “welcome”. At this moment the screen will show a number in “0-100”, which denotes the interval time of speaking “welcome”, and with “second” as its unit. The interval time of speaking “welcome” can be adjusted by pressing **[+]** or **[-]**. When it shows “0”, it means no speaking of “welcome” during stand-by state. Press **ENT** to save the adjustment and back to the menu selection.

Attention: if pressing **ESC** after adjustment, then it will directly back to the menu selection without saving the adjustment.

IV. Normal range of BMI (Body Mass Index) maximum value

When the screen shows “1-07”, press the **ENT** to enter into the adjustment of normal range of BMI maximum value. The normal range of minimum values is 22.0-28.0, and it can be adjusted by pressing **[+]** or **[-]**. Press **ENT** to save the adjustment and back to the menu selection.

Attention: if pressing **ESC** after adjustment, then it will directly back to the menu selection without saving the adjustment.

V. Normal range of BMI (Body Mass Index) minimum value

When the screen shows “1-08” press the **ENT** to enter into the adjustment of normal range of BMI minimum value. The normal range of minimum values is 16.0-22.0, and it can be adjusted by pressing **[+]** or **[-]**. Press **ENT** to save the adjustment and back to the menu selection.

Attention: if pressing **ESC** after adjustment, then it will directly back to the menu selection without saving the adjustment.

Body Mass Index: BMI=weight (Kg)/ (height)²(M²) %

Kindly pay attention that the machine can go back to the stand-by state if you press **ESC** during menu selection.

VI. View Statistics

When the screen shows “1-11”, press **ENT** button to enter into the view of statistics. The **height screen** shows the historical measuring times from the machine installation, and the maximum value is 9999 (after 9999 it restarts from 0). The **weight screen** shows the phased measuring times from the last clearing (printing), and after pressing **SELECT** this value can be cleared (or printed with the date if a printer is installed). Press **ENT** or **ESC** to go back to the menu selection.

● Ways to Deal with Common Malfunctions

Intend to make the machine recover soon from some common problems, we list several examine and repair ways for your references.

Attention: If there is something wrong with the machine, only professional maintenance personnel of electrical appliances are allowed to do maintenance; to plug in or pull out the integrated chip can only be done half a minute after turning off the power; and also the indentation side of the integrated chip must not be mistaken, or else the integrated chip will be destroyed.

I .Nothing is shown on the screen after turning on the machine

- a) Check the fuse to see if it is burned out or not;
- b) Check the in-line voltage of power supply to see if it is 12V or not;
- c) Check the power switch to see if it is connected normally or not.

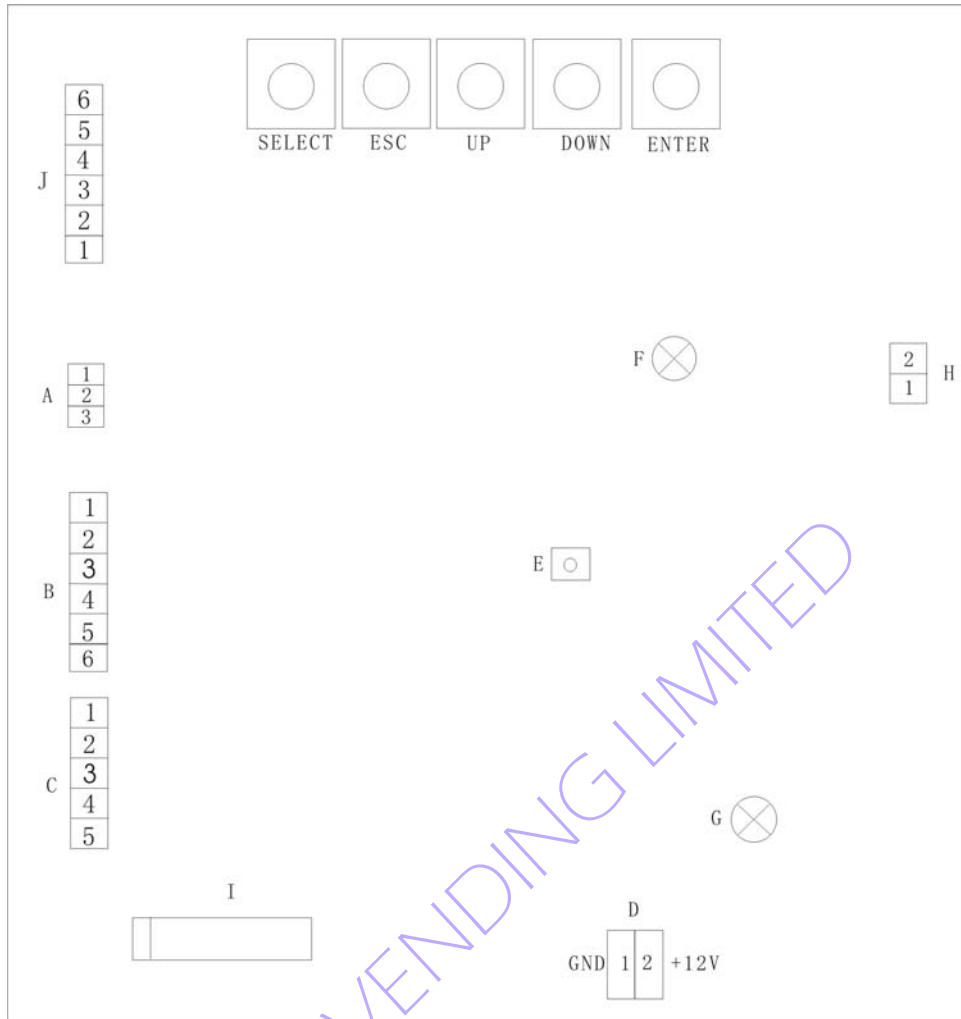
II .The machine can measure but can not report height and weight

- a) Check the loud-speaker and its down-lead.

III. No display of weight or the weight not exact

- a) Check the 5-core weight sensor plug to see if it is connected well with the socket;
- b) Refer to the weight adjustment to correct.

Appendix I : Wiring Diagram



- A. Temperature sensor
- B. Height sensor
- C. Weight sensor
- D. Power
- E. Reset button
- F. Work indicator light
- G. Power indicator light
- H. Loud-speaker
- I. Fuse
- J. Film keyboard

Kindly pay attention that the serial numbers on the socket of film keyboard must be respectively in accord with the serial numbers on the plug of film keyboard.